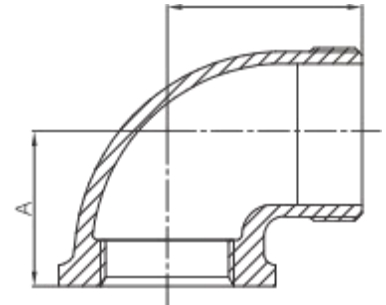


Malleable cast iron male and female 90° elbow

Malleable cast iron male and female 90° elbow, with stable connection and flexible turning, suitable for various pipeline systems.



- Standard:** ISO 49 / EN 10242
UL/FM
- Material:** BS EN 1562, EN-GJMB-350-10
- Thread:** BSPT
- W. pressure:** 20 ~ 25 bar, ≤ PN25
- Surface:** Black iron / hot dip galvanized
- Size Range:** 1/4"-6"



Available size

SIZE			A	B
INCH	DN	MM	MM	MM
1/4"	8	13.5	21	28
3/8"	10	17.2	25	32
1/2"	15	21.3	28	37
3/4"	20	26.9	33	43
1"	25	33.7	38	52
1-1/4"	32	42.4	45	60
1-1/2"	40	48.3	50	65
2"	50	60.3	58	74
2-1/2"	65	76.1	69	88
3"	80	88.9	78	98
4"	100	114.3	96	118
6"	150	165.1	127.5	202

Note: NSF 61 certificate is available for M0301, M0302, M0313.