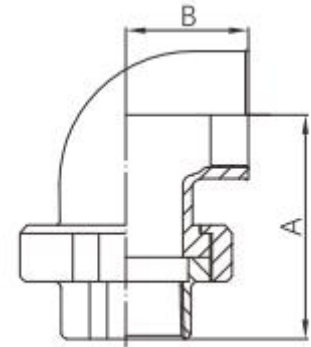


Malleable cast iron union elbow (Flat / taper seat)

Malleable cast iron union elbow (Flat /taper seat), flat/taper seat for leak-proof sealing, flexible steering, quickly connects various pipelines.



- **Standard:** ISO 49 / EN 10242
UL/FM
- **Material:** BS EN 1562, EN-GJMB-350-10
- **Thread:** BSPT
- **W. pressure:** 20 ~ 25 bar, ≤ PN25
- **Surface:** Black iron / hot dip galvanized
- **Size Range:** 1/2" ---2"



Available size

INCH	SIZE		A MM	B MM	Type
	DN	MM			
1/2"	15	21.3	57	27	Flat seat / taper seat
3/4"	20	26.9	59	29	Flat seat / taper seat
1"	25	33.7	72	34	Flat seat / taper seat
1-1/4"	32	42.4	82	43	Flat seat / taper seat
1-1/2"	40	48.3	88	47	Flat seat / taper seat
2"	50	60.3	99	56	Flat seat / taper seat

NOTE:1. For flat seat, it must be fitted together with gasket for sealing, and TPMC could supply rubber gasket separately.

2. For taper (conical) seat, it is self-sealing without gasket.

3. For taper seat material of head and tail, it is malleable iron, and also available with both brass rings as customized.

4. NSF 61 certificate is available for M4003 ~ M4008.