

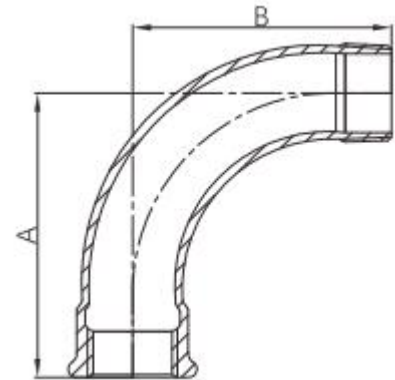


Malleable cast iron male and female 90° long sweep bend

Malleable cast iron male and female 90° long sweep bend, large arc reduces resistance, quick socket connection, strong sealing, wide adaptability.



- Standard: ISO 49 / EN 10242
UL/FM
- Material: BS EN 1562, EN-GJMB-350-10
- Thread: BSPT
- W. pressure: 20 ~ 25 bar, ≤ PN25
- Surface: Black iron / hot dip galvanized
- Size Range: 1/4" ---6"



Available size

SIZE			A	B
INCH	DN	MM	MM	MM
1/4"	8	13.5	40	36
3/8"	10	17.2	48	42
1/2"	15	21.3	55	48
3/4"	20	26.9	69	60
1"	25	33.7	85	75
1-1/4"	32	42.4	105	95
1-1/2"	40	48.3	116	105
2"	50	60.3	140	130
2-1/2"	65	76.1	176	165
3"	80	88.9	205	190
4"	100	114.3	260	245
6"	150	165.1	365	345

NOTE: NSF 61 certificate is available for M4502 ~ M4511, except M4501, M4513.

