

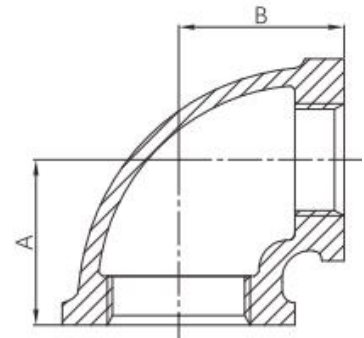


Malleable iron 90° reducing elbow

Malleable iron 90° reducing elbow, pressure and corrosion resistant, suitable for various pipelines, easy to install, with excellent performance.



- Standard:** ANSI/ASME B16.3
UL/FM
- Material:** Malleable iron ASTM A197
- Thread:** NPT
- W. pressure:** Class 150, 300 psi (-29°C to 66°C)
Class 300, 1000 / 1500 / 2000 psi (-29°C to 66°C)
- Surface:** Black iron / hot dip galvanized
- Size Range:** 1/2" x 3/8" ---4" x 3" (Class 150)
1/2"x 3/8" ---1-1/4" x 1/2" (Class 300)



Available size(Class 150)

SIZE			A	B
INCH	DN	MM	MM	MM
1/2" x 3/8"	15 x 10	21.3 x 17.1	26.4	26.2
3/4" x 3/8"	20 x 10	26.7 x 17.1	28.5	28.7
3/4" x 1/2"	20 x 15	26.7 x 21.3	30.5	31
1" x 1/4"	25 x 8	33.4 x 13.7	27	31
1" x 3/8"	25 x 10	33.4 x 17.1	30	32.3
1" x 1/2"	25 x 15	33.4 x 21.3	32	35.5
1" x 3/4"	25 x 20	33.4 x 26.7	34.8	36.8
1-1/4" x 3/8"	32 x 10	42.2 x 17.1	32	36.5
1-1/4" x 1/2"	32 x 15	42.2 x 21.3	34	38.9
1-1/4" x 3/4"	32 x 20	42.2 x 26.7	36.8	41.2
1-1/4" x 1"	32 x 25	42.2 x 33.4	40.1	42.4
1-1/2" x 1/2"	40 x 15	48.3 x 21.3	35	41.5
1-1/2" x 3/4"	40 x 20	48.3 x 26.7	38.6	44.5
1-1/2" x 1"	40 x 25	48.3 x 33.4	41.9	45.7
2" x 1/2"	50 x 15	60.3 x 21.3	37.5	47.5



Malleable iron 90° straight elbow

Available size(Class 150)

SIZE			A	B
INCH	DN	MM	MM	MM
2" x 3/4"	50 x 20	60.3 x 26.7	40.6	50
2" x 1"	50 x 25	60.3 x 33.4	43.9	51.3
2" x 1-1/4"	50 x 32	60.3 x 42.2	48.3	53.3
2" x 1-1/2"	50 x 40	60.3 x 48.3	51.3	54.9
2-1/2" x 3/4"	65 x 20	73.0 x 26.7	42	57
2-1/2" x 1"	65 x 25	73.0 x 33.4	46	58.7
2-1/2" x 1-1/4"	65 x 32	73.0 x 42.2	50.5	60
2-1/2" x 1-1/2"	65 x 40	73.0 x 48.3	54.9	63.8
2-1/2" x 2"	65 x 50	73.0 x 60.3	60.7	66
3" x 3/4"	80 x 20	88.9 x 26.7	45	65
3" x 1"	80 x 25	88.9 x 33.4	50	67.5
3" x 1-1/4"	80 x 32	88.9 x 42.2	55	70
3" x 1-1/2"	80 x 40	88.9 x 48.3	58	72
3" x 2"	80 x 50	88.9 x 60.3	64	73.4
3" x 2-1/2"	80 x 65	88.9 x 73.0	71.9	75.9
4" x 1-1/4"	100 x 32	114.3 x 42.2	60	85
4" x 1-1/2"	100 x 40	114.3 x 48.3	62	85
4" x 2"	100 x 50	114.3 x 60.3	69	87
4" x 2-1/2"	100 x 65	114.3 x 73.0	78	90
4" x 3"	100 x 80	114.3 x 88.9	83.8	91.4

Available size(Class 300)

SIZE			A	B
INCH	DN	MM	MM	MM
1/2" x 3/8"	15 x 10	21.3 x 17.1	30.2	30.2
1" x 3/4"	25 x 20	33.4 x 26.7	38.1	39.6
1-1/4" x 1/2"	32 x 15	42.2 x 21.3	36.5	42